

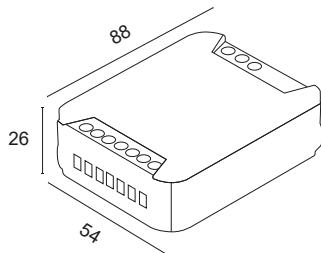
DLX1224-4CV-DALI control unit

Four-channel control unit with ON/OFF and DIMMER function in 12Vdc or 24Vdc constant voltage for monochrome, dynamic white, RGB or RGBW LEDs. DALI control system or via DIP-SWITCH. Can be installed in unshielded indoor environments. The system can be expanded with the use of the DLA-1224-4CV amplifier. Active memory function.

Power supply voltage: $V_{in} = V_{out} - 12/24Vdc$

Output current: 10A - 12/24Vdc

Power rating: 120W@12Vdc - 240W@24Vdc



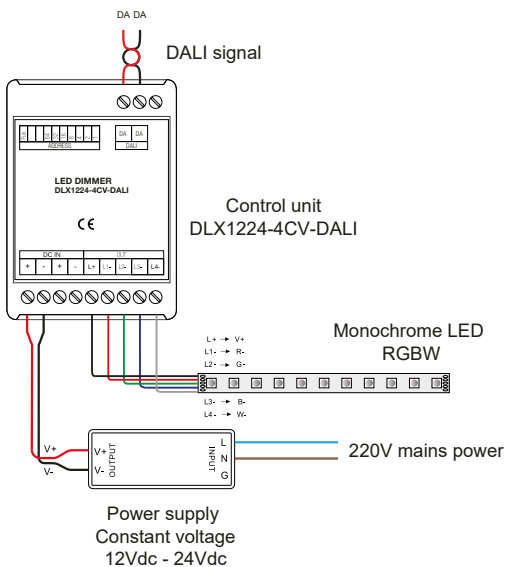
DLX1224-4CV-DALI



DLA1224-4CV



EXAMPLE OF RGBW LED STRIP CONTROL



EXAMPLE OF RGBW LED STRIP CONTROL WITH AMPLIFIER

